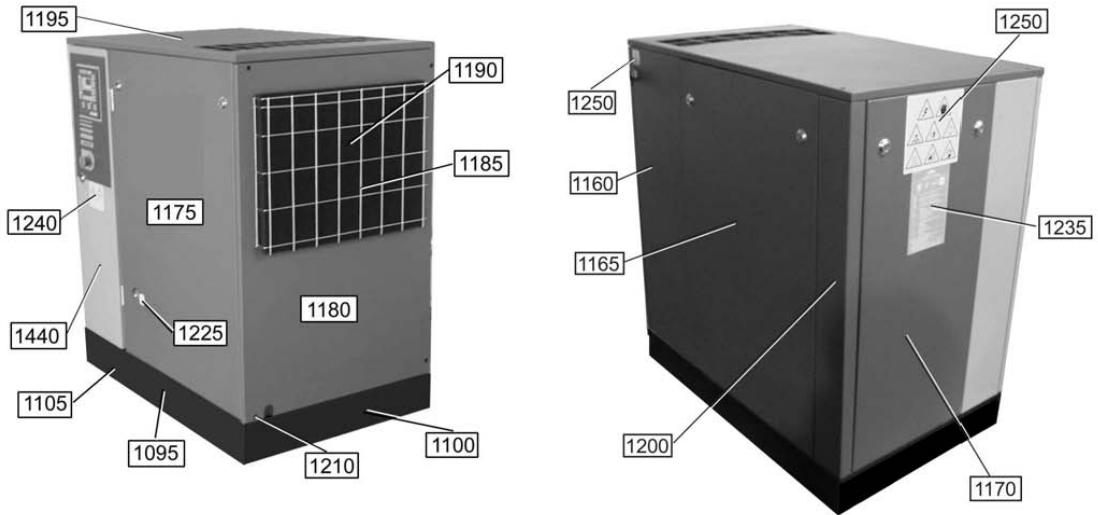


Code
<b>2205 1084 06</b>
Edition 04/2013

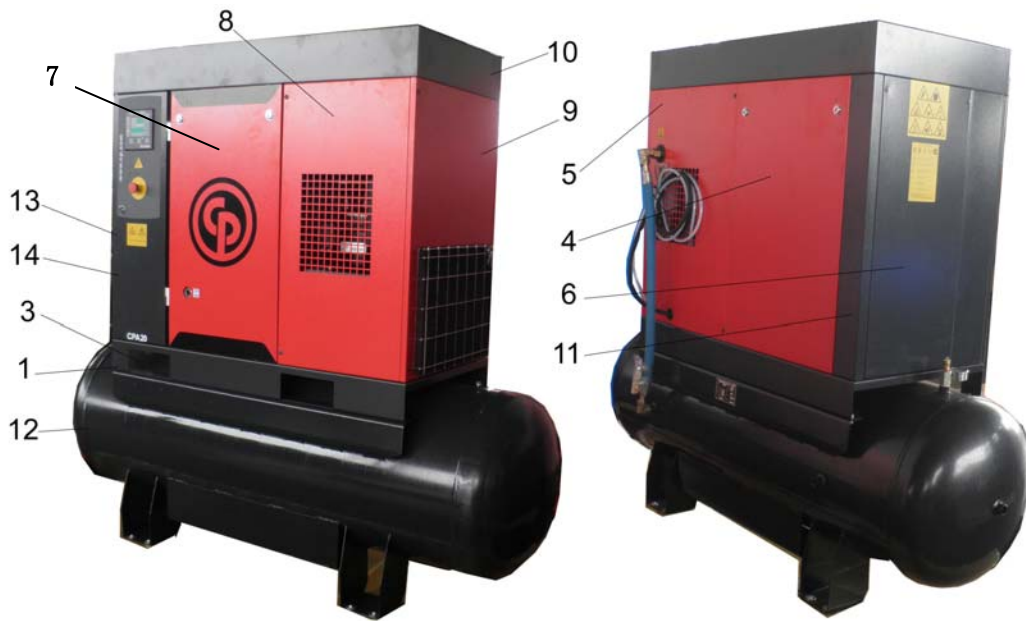
## CPA7.5-10-15-20 Screw Air Compressors

# Parts List Book

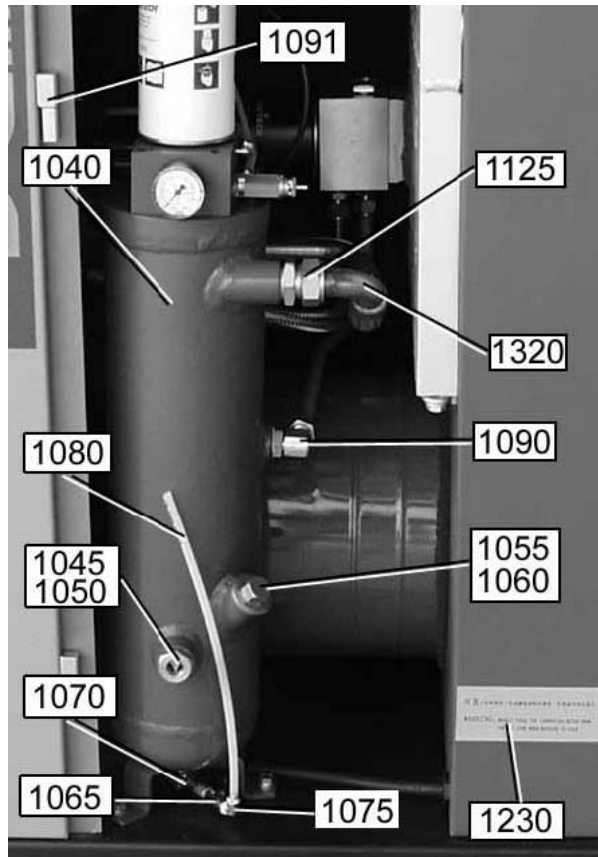




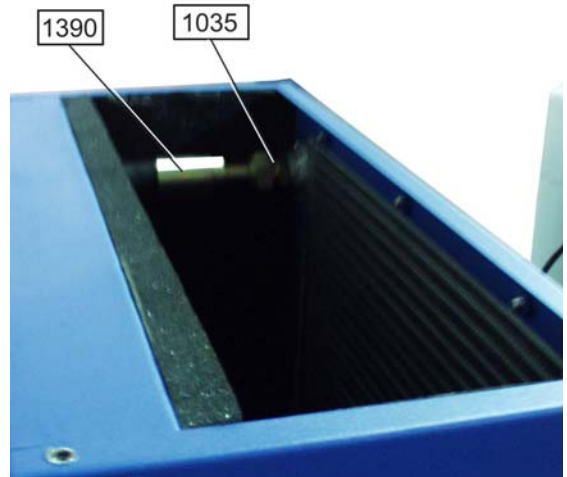
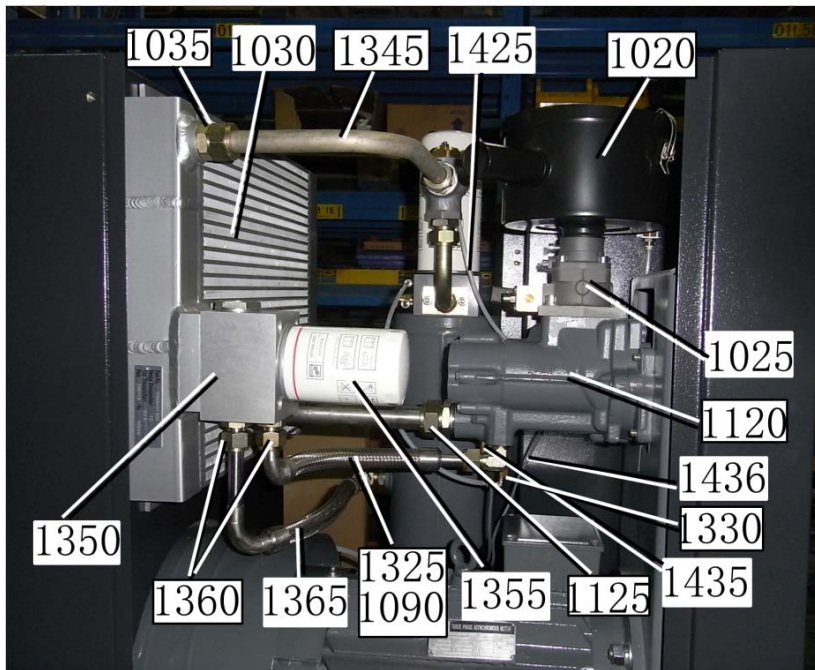
REF.	PART NUM.	QTY.	NAME	REF.	PART NUM.	QTY.	NAME
1095	2205 1020 83	1	BASE	1195	2205 1053 83	1	PANEL
1100	2205 1028 01	2	COVER	1200	2205 1026 83	1	GIRDER
1105	2205 1126 01	2	COVER	1210	2205 4207 00	8	BUTTON
1160	2205 5015 98	1	COOLER PANEL	1225	2205 1030 00	1	LABEL
1165	2205 1049 83	1	PANEL	1230	2205 1031 01	1	LABEL
1170	2205 1050 83	1	PANEL	1235	2205 1032 01	1	LABEL
1175	2205 1051 83	1	PANEL	1240	2205 1033 01	1	LABEL
1180	2205 1052 84	1	PANEL	1250	2205 1088 00	1	LABEL
1185	2205 1017 80	1	GRILLE	1440	2205 5574 74	1	DOOR
1190	2205 1075 00	1	FILTER ELEMENT				



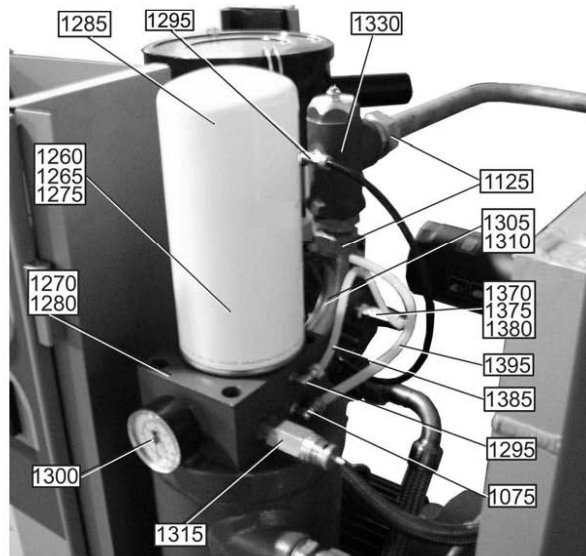
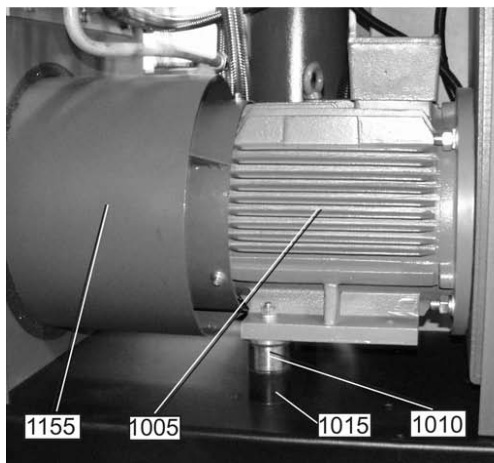
REF.	PART NUM.	QTY.	NAME
1	2205 1020 84	1	BASE
3	2205 1026 10	2	COVER
4	2205 1049 83	1	PANEL
5	2205 5519 04	1	PANEL
6	2205 1050 83	1	PANEL
7	2205 5519 06	1	PANEL
8	2205 5519 07	1	PANEL
9	2205 5519 08	1	PANEL
10	2205 5519 09	1	PANEL
11	2205 1026 83	1	GIRDER
12		1	TANK
	2205 1019 33	1	SQL 1.5MPa
	2205 1019 34	1	SQL 1.2MPa
	2205 2209 10	1	ASME&MOM&DIR
13	2205 5574 76	1	Electric Bodywork
14	2205 5574 74	1	DOOR



REF.	PART NUM.	QTY.	REF.	REF.	REF.	REF.	REF.
1040	2205 1015 81	1	OIL TANK	1075	2205 4335 02	1	PIPE FITTING
1045	2200 7599 10	1	OIL LEVEL PLUG	1080	2205 1093 00	1	TUBE
1050	2205 1090 00	1	SEALING WASHER	1090	2205 4376 00	1	EXTREME RIGHT-ANGLE PIPING SLEEVE
1055	2205 1047 00	1	CLOGGING	1091	2205 4213 02	2	HINGE
1060	2205 4314 18	1	SEALING RING	1125	2205 4395 00	1	EXTREME RIGHT-ANGLE PIPING SLEEVE
1065	0852 0010 45	1	DRAIN COCK	1230	2205 1031 00	1	LABEL
1070	2205 1083 00	1	NIPPLE	1320	2205 1023 01	1	TUBE

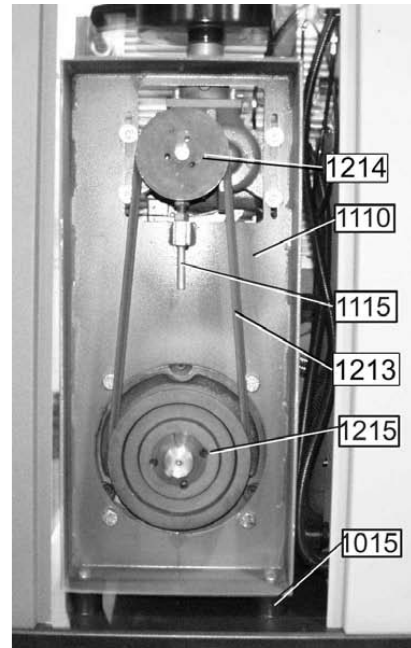
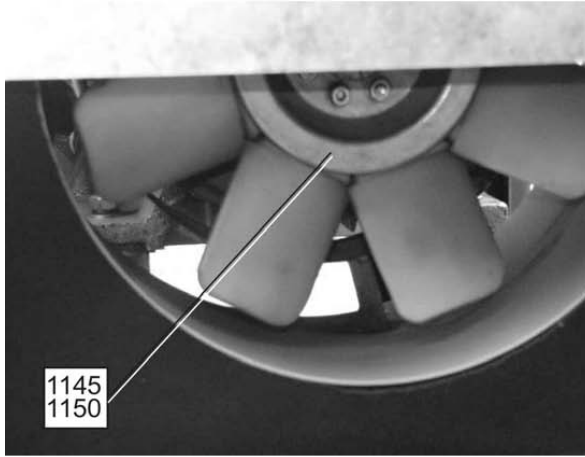


REF.	PART NUM.	QTY.	NAME.	REF.	PART NUM.	QTY.	NAMR
1020	2205 1068 80	1	AIR INLET FILTER	1345			TUBE
1025	2202 2512 55	1	UNLOADING VALVE		2205 1061 01	1	HP7.5/5kW,HP10/7Kw
1030			COOLER		2205 1061 02	1	HP15/11Kw
	2205 1011 00	1	HP7.5/5kW,HP10/7Kw		2205 1061 03	1	HP20/15kW
	2205 1012 00	1	HP15/11Kw	1350	2205 4626 00	1	THERMOSTATIC VALVE
	2205 1013 00	1	HP20/15kw	1355	6211 4726 50	1	OIL FILTER
1035	2205 4386 00	3	EXTREME STRAIGHT THROUGH SLEEVE	1360	2205 4387 00	2	EXTREME STRAIGHT THROUGH SLEEVE
1090	2205 4376 00	1	EXTREME RIGHT-ANGLE SLEEVE	1365	2205 1060 00	1	TUBE
1120	1616 7535 80	1	C55 ELEMENT	1390	2205 1062 00	1	TUBE
1125	2205 4395 00	1	EXTREME STRAIGHT THROUGH SLEEVE	1425	2205 1065 00	1	TUBE
1325	2205 1177 94	1	TUBE	1435	2205 1048 10	1	PIPE COUPLING
1330	0823 0050 39	1	NON-RETURN VALVE	1436	2200 7028 04	1	TEMPERATURE SENSOR



REF.	PART NUM.	QTY.	NUME.	REF.	PART NUM.	QTY.	NUME.
1005			ELECTRIC MOTOR	1015	2205 1014 00	2	PULSATION DAMPER
	2205 2695 05	1	5.5Kw 400V/50HZ MEPS	1075	2205 4335 02	1	PIPE FITTING
	2205 2695 06	1	7.5Kw 400V/50HZ MEPS	1125	2205 4389 00	2	EXTREME STRAIGHT THROUGH
	2205 2695 07	1	11Kw 400V/50HZ MEPS	1155			MOTOR DUCT
	2205 2695 08	1	15Kw 400V/50HZ MEPS		2205 1021 00	1	HP7.5/5kW, HP10/7kW
	2205 1101 01	1	5.5Kw 380V/50HZ		2205 1021 10	1	HP15/11kW,HP20/15kW
	2205 1101 02	1	7.5Kw 380V/50HZ	1260	2205 1054 01	1	OIL SEPARATOR JOINT
	2205 1101 03	1	11Kw 380V/50HZ	1265	2205 1055 00	1	OIL SEPARATOR PIPE
	2205 1101 04	1	15Kw 380V/50HZ	1270	2205 1058 00	1	OIL SEPARATOR SEAT
	2205 1069 01	1	5.5Kw 400V/50HZ	1275	2205 4314 17	1	SEALING RING
	2205 1070 01	1	7.5Kw 400V/50HZ	1280	2205 4314 20	1	SEALING RING
	2205 1071 01	1	11Kw 400V/50HZ	1285	6221 3728 00	1	SEPARATOR CARTTIDGE
	2205 1072 01	1	15Kw 400V/50HZ	1295	2205 4335 03	2	PIPE FITTING
	2205 1069 02	1	5.5Kw 220V/60HZ	1300	2200 6001 03	1	PRESSURE GAUGE
	2205 1070 03	1	7.5Kw 220V/60HZ	1305	2205 1046 80	1	TUBE
	2205 1071 05	1	11Kw 220V/60HZ	1310	2205 4314 49	1	SEALING RING
	2205 1072 04	1	15Kw 220V/60HZ	1315			Safety valve
	2205 1069 03	1	5.5Kw 380V/60HZ		2205 4002 02	1	FOR 8BAR MACHINES
	2205 1070 04	1	7.5Kw 380V/60HZ		2205 4002 03	1	FOR 10BAR MACHINES
	2205 1071 06	1	11Kw 380V/60HZ		2205 4002 18	1	FOR 13BAR MACHINES
	2205 1072 05	1	15Kw 380V/60HZ	1330	2205 4691 00	1	MINIMUM PRESSURE VALVE
	2205 1069 04	1	5.5Kw 440V/60HZ	1370	0823 0050 39	1	NON-RETURN VALVE
	2205 1070 05	1	7.5Kw 440V/60HZ	1375	2205 1077 00	1	JOINT
	2205 1071 04	1	11Kw 440V/60HZ	1380	2205 4335 01	1	PIPE FITTING
	2205 1072 06	1	15Kw 440V/60HZ	1385	2205 1063 00	1	TUBE
1010	2205 1029 00	2	SHIM	1395	2205 1066 00	1	TUBE

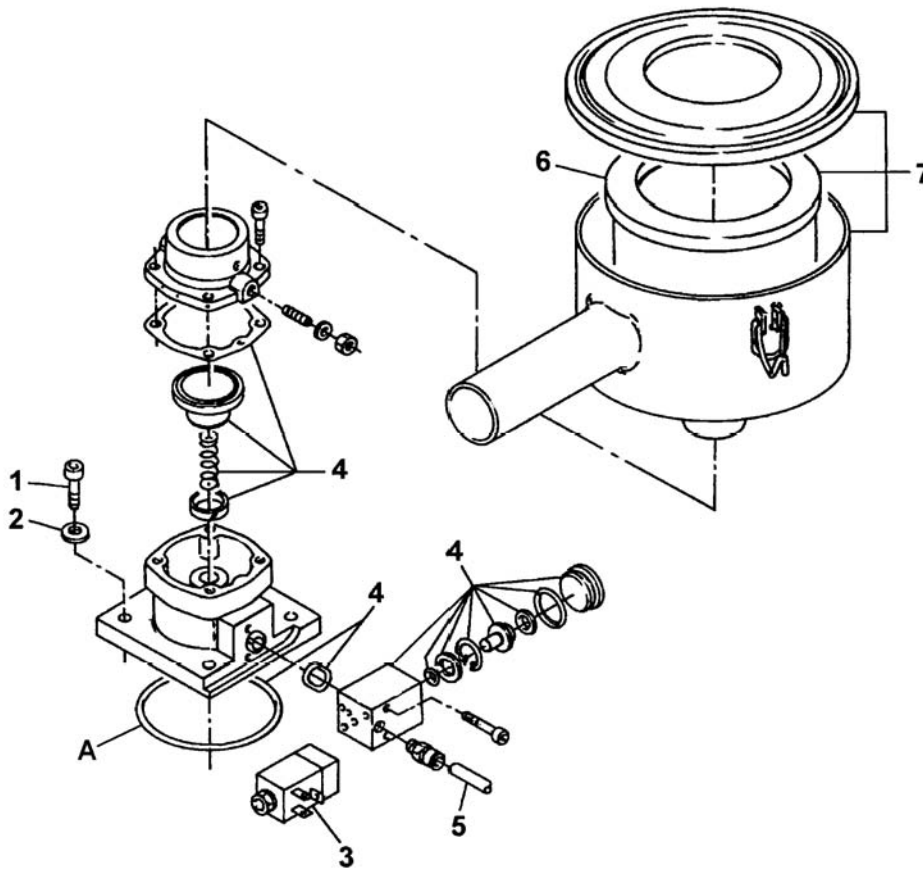




REF.	PART NUM.	QTY.	NAME	REF.	PART NUM.	QTY.	NAME
1015	2205 1181 40	2	PULSATION DAMPER		2205 4545 63	2	HP20/15kW-10 50HZ
1110	2205 1016 80	1	CORE SUPPORT		2205 4545 07	2	HP20/15kW-10 60HZ
1213			BELT		2205 4545 04	2	HP20/15kW-13 50HZ
	2205 4545 02	2	HP7.5/5kW-8 50HZ		2205 4545 05	2	HP20/15kW-13 60HZ
	2205 4545 65	2	HP7.5/5kW-8 60HZ	1214			DRIVEN PULLEY
	2205 4545 65	2	HP7.5/5kW-10 50HZ		2205 1177 82	1	HP7.5/5kW-8 50HZ
	2205 4545 02	2	HP7.5/5kW-10 60HZ		2205 1177 82	1	HP7.5/5kW-8 60HZ
	2205 4545 04	2	HP10/7kW-8 50HZ		2205 1177 83	1	HP7.5/5kW-10 50HZ
	2205 4545 03	2	HP10/7kW-8 60HZ		2205 1177 84	1	HP7.5/5kW-10 60HZ
	2205 4545 07	2	HP10/7kW-10 50HZ		2205 1177 82	1	HP10/7kW-8 50HZ
	2205 4545 02	2	HP10/7kW-10 60HZ		2205 1177 83	1	HP10/7kW-8 60HZ
	2205 4545 02	2	HP10/7kW-13 50HZ		2205 1177 84	1	HP10/7kW-10 50HZ
	2205 4545 63	2	HP10/7kW-13 60HZ		2205 1177 82	1	HP10/7kW-10 60HZ
	2205 4545 06	2	HP15/11kW-8 50HZ		2205 1177 82	1	HP10/7kW-13 50HZ
	2205 4545 07	2	HP15/11kW-8 60HZ		2205 1177 84	1	HP10/7kW-13 60HZ
	2205 4545 07	2	HP15/11kW-10 50HZ		2205 1177 82	1	HP15/11kW-8 50HZ
	2205 4545 06	2	HP15/11kW-10 60HZ		2205 1177 83	1	HP15/11kW-8 60HZ
	2205 4545 63	2	HP15/11kW-13 50HZ		2205 1177 83	1	HP15/11kW-10 50HZ
	2205 4545 07	2	HP15/11kW-13 60HZ		2205 1177 84	1	HP15/11kW-10 60HZ
	2205 4545 07	2	HP20/15kW-8 50HZ		2205 1177 83	1	HP15/11kW-13 50HZ
	2205 4545 06	2	HP20/15kW-8 60HZ		2205 1177 84	1	HP15/11kW-13 60HZ

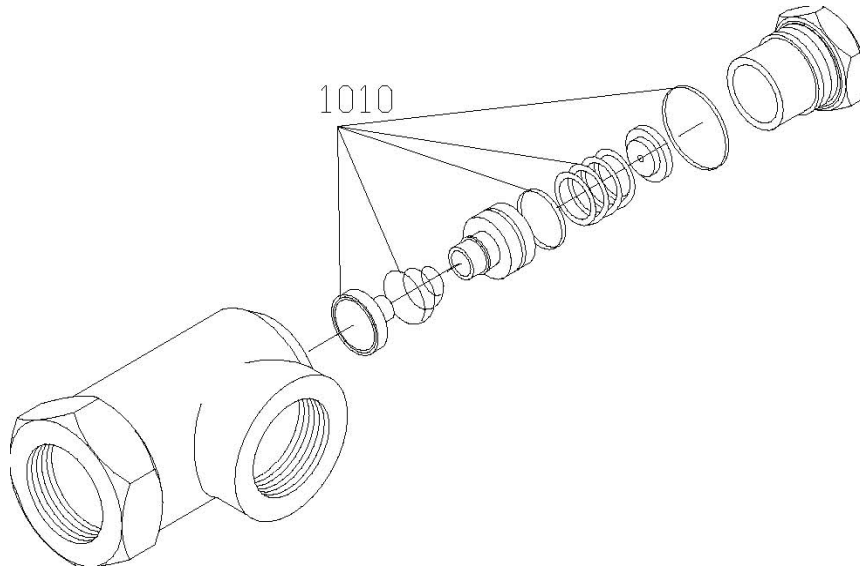
REF.	PART NUM.	QTY.	NAME	REF.	PART NUM.	QTY.	NAME
	2205 1177 81	1	HP20/15kW-8 50HZ		2205 1091 00	1	HP10/7kW-13 50HZ
	2205 1177 83	1	HP20/15kW-8 60HZ		2205 1044 00	1	HP10/7kW-13 60HZ
	2205 1177 81	1	HP20/15kW-10 50HZ		2205 1004 00	1	HP15/11kW-8 50HZ
	2205 1177 83	1	HP20/15kW-10 60HZ		2205 1172 26	1	HP15/11kW-8 60HZ
	2205 1177 81	1	HP20/15kW-13 50HZ		2205 1172 25	1	HP15/11kW-10 50HZ
	2205 1177 83	1	HP20/15kW-13 60HZ		2205 1172 25	1	HP15/11kW-10 60HZ
1115	2205 4572 01	1	SET SCREW		2205 1007 00	1	HP15/11kW-13 50HZ
1145	2205 1022 00	1	FAN CARDO		2205 1007 00	1	HP15/11kW-13 60HZ
1150			FAN		2205 1004 00	1	HP20/15kW-8 50HZ
	2205 1076 80	1	HP7.5/5Kw,HP10/7kW		2205 1004 00	1	HP20/15kW-8 60HZ
	2205 1076 81	1	HP15/11Kw,HP20/15kW		2205 1005 00	1	HP20/15kW-10 50HZ
1215			DRIVE PULLEY		2205 1005 00	1	HP20/15kW-10 60HZ
	2205 1091 00	1	HP7.5/5kW-8 50HZ		2205 1007 00	1	HP20/15kW-13 50HZ
	2205 1092 00	1	HP7.5/5kW-8 60HZ		2205 1007 00	1	HP20/15kW-13 60HZ
	2205 1010 00	1	HP7.5/5kW-10 50HZ				
	2205 1010 00	1	HP7.5/5kW-10 60HZ				
	2205 1008 00	1	HP10/7kW-8 50HZ				
	2205 1044 00	1	HP10/7kW-8 60HZ				
	2205 1172 26	1	HP10/7kW-10 50HZ				
	2205 1091 00	1	HP10/7kW-10 60HZ				





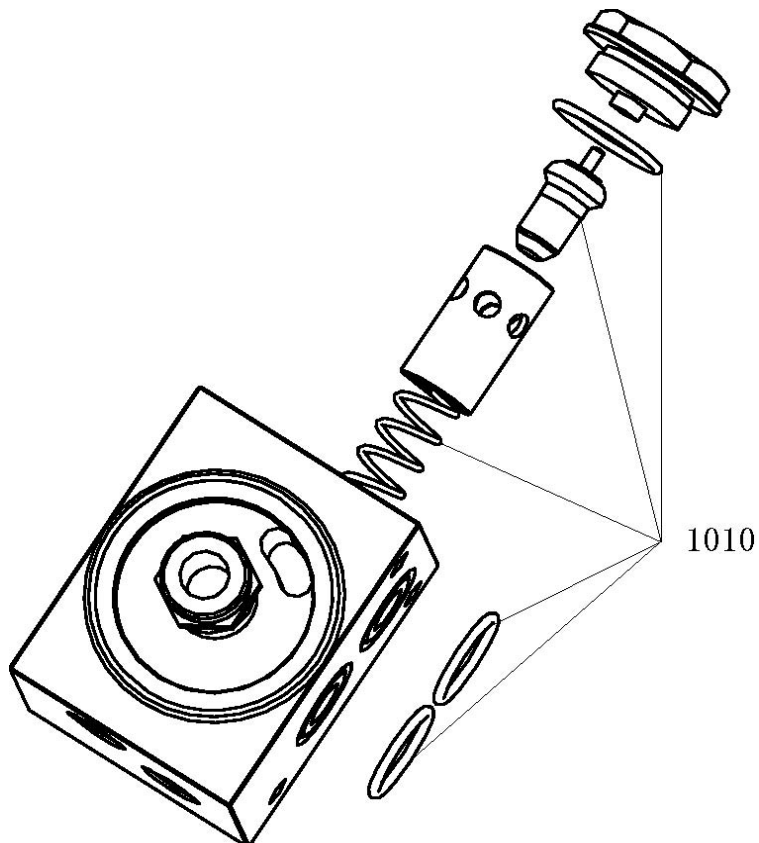
**SUCTION UNIT ASS.**

REF.	PART NUM.	QTY.	NAME	REF.	PART NUM.	QTY.	NAME
1	0211 1326 03	4	SCREW	5	2205 1057 00	1	PIPE
2	0333 2174 19	4	WASHER	6	2205 1068 02	1	AIR FILTER ELEMENT
3	2200 5997 53	1	SOLENOID VALVE	7	2205 1068 80	1	AIR FILTER ASS.
4	2200 9009 43	1	SUCTION UNIT KIT				



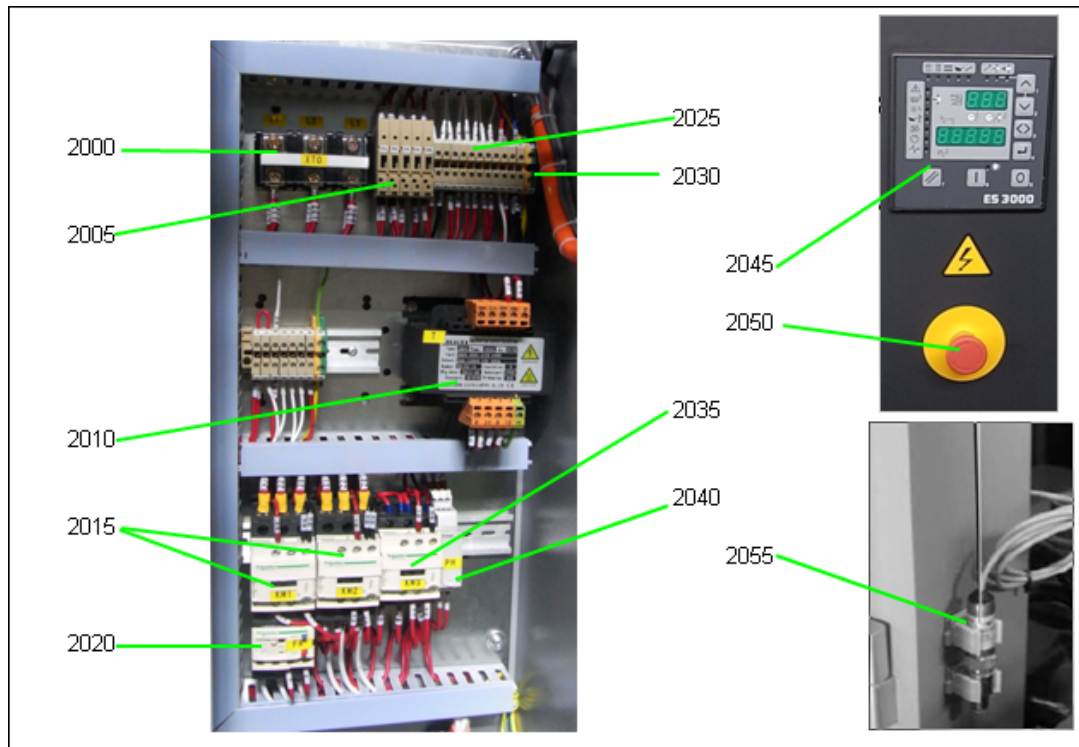
**2205 4691 00 MINIMUM PRESSURE VALVE**

REF.	PART NUM.	QTY.	NAME	REF.	PART NUM.	QTY.	NAME
1010	2205 4905 95	1	SPARE KIT				



**2205 4626 00 THERMOSTATIC VALVE**

REF.	PART NUM.	QTY.	NAME	REF.	PART NUM.	QTY.	NAME
1010	2205 4905 90	1	SPARE KIT				




Ref.	Part number	Qty.	Name	Remark
				380V/400/415/440V
2000			Terminal	
	2205517506	1		5.5KW/7.5HP
	2205517506	1		7.5KW/10HP
	2205517506	1		11KW/15HP
	2205517506	1		15KW/20HP
2005			Fuse Support	
	2205412900	5		5.5KW/7.5HP
	2205412900	5		7.5KW/10HP
	2205412900	5		11KW/15HP
	2205412900	5		15KW/20HP
2010			Transformer	
	2205413800	1		5.5KW/7.5HP
	2205413800	1		7.5KW/10HP
	2205413800	1		11KW/15HP
	2205413800	1		15KW/20HP
2015			Alternating Current Contactor	
	2205419110	2		5.5KW/7.5HP
	2205419110	2		7.5KW/10HP
	2205419116	2		11KW/15HP
	2205419121	2		15KW/20HP

2020			Thermal Rlay	
	2205415808	1		5.5KW/7.5HP
	2205415808	1		7.5KW/10HP
	2205415809	1		11KW/15HP
	2205415810	1		15KW/20HP
2025			Terminals	
	2205419400	20		5.5KW/7.5HP
	2205419400	20		7.5KW/10HP
	2205419400	20		11KW/15HP
	2205419400	20		15KW/20HP
2030			Double Color Terminal	
	2205484700	1		5.5KW/7.5HP
	2205484700	1		7.5KW/10HP
	2205484700	1		11KW/15HP
	2205484700	1		15KW/20HP
2035			Alternating Current Contactor	
	2205419106	1		5.5KW/7.5HP
	2205419106	1		7.5KW/10HP
	2205419106	1		11KW/15HP
	2205419110	1		15KW/20HP
2040			Phase-rotation Relay	
	2205483705	1		5.5KW/7.5HP
	2205483705	1		7.5KW/10HP
	2205483705	1		11KW/15HP
	2205483705	1		15KW/20HP
2045			Logic Controller	
	2203013501	1		5.5KW/7.5HP
	2203013501	1		7.5KW/10HP
	2203013501	1		11KW/15HP
	2203013501	1		15KW/20HP
2050			Push-Button	
	2205418900	1		5.5KW/7.5HP
	2205418900	1		7.5KW/10HP
	2205418900	1		11KW/15HP
	2205418900	1		15KW/20HP
2055			Pressure Sensor	
	2205410109	1		5.5KW/7.5HP
	2205410109	1		7.5KW/10HP
	2205410109	1		11KW/15HP
	2205410109	1		15KW/20HP
			Temp. Sensor	
	2205483203	1		5.5KW/7.5HP
	2205483203	1		7.5KW/10HP

	2205483203	1		11KW/15HP
	2205483203	1		15KW/20HP
Ref.	Part number	Qty.	Name	Remark
				220V
2000			Terminal	
	2205517506	1		5.5KW/7.5HP
	2205517506	1		7.5KW/10HP
	2205517506	1		11KW/15HP
	2205517479	1		15KW/20HP
2005			Fuse Support	
	2205412900	5		5.5KW/7.5HP
	2205412900	5		7.5KW/10HP
	2205412900	5		11KW/15HP
	2205412900	5		15KW/20HP
2010			Transformer	
	2205413909	1		5.5KW/7.5HP
	2205413909	1		7.5KW/10HP
	2205413909	1		11KW/15HP
	2205413908	1		15KW/20HP
2015			Alternating Current Contactor	
	2205419116	2		5.5KW/7.5HP
	2205419121	2		7.5KW/10HP
	2205419125	2		11KW/15HP
	2205419132	2		15KW/20HP
2020			Thermal Rlay	
	2205415809	1		5.5KW/7.5HP
	2205415809	1		7.5KW/10HP
	2205415811	1		11KW/15HP
	2205415813	1		15KW/20HP
2025			Terminals	
	2205419400	20		5.5KW/7.5HP
	2205419400	20		7.5KW/10HP
	2205419400	20		11KW/15HP
	2205419400	20		15KW/20HP
2030			Double Color Terminal	
	2205484700	1		5.5KW/7.5HP
	2205484700	1		7.5KW/10HP
	2205484700	1		11KW/15HP
	2205484700	1		15KW/20HP
2035			Alternating Current Contactor	
	2205419106	1		5.5KW/7.5HP
	2205419110	1		7.5KW/10HP
	2205419116	1		11KW/15HP

	2205419121	1		15KW/20HP
2040			Phase-rotation Relay	
	2205483705	1		5.5KW/7.5HP
	2205483705	1		7.5KW/10HP
	2205483705	1		11KW/15HP
	2205483705	1		15KW/20HP
2045			Logic Controller	
	2203013501	1		5.5KW/7.5HP
	2203013501	1		7.5KW/10HP
	2203013501	1		11KW/15HP
	2203013501	1		15KW/20HP
2050			Push-Button	
	2205418900	1		5.5KW/7.5HP
	2205418900	1		7.5KW/10HP
	2205418900	1		11KW/15HP
	2205418900	1		15KW/20HP
2055			Pressure Sensor	
	2205410109	1		5.5KW/7.5HP
	2205410109	1		7.5KW/10HP
	2205410109	1		11KW/15HP
	2205410109	1		15KW/20HP
			Temp. Sensor	
	2205483203	1		5.5KW/7.5HP
	2205483203	1		7.5KW/10HP
	2205483203	1		11KW/15HP
	2205483203	1		15KW/20HP

## SERVICE KITS

		KIT 2000 HOURS				
CODE	MACHINE	PAGE	REF.	PART NUM.	QTY.	NAME
2205 5570 03	CPA7.5,CPA10,CPA15,CPA20	9	6	2205 1068 02	1	AIR FILTER ELEMENT 
		5	1355	6211 4726 50	1	OIL FILTER

		KIT 4000 HOURS				
CODE	MACHINE	PAGE	REF.	PART NUM.	QTY.	NAME
2205 5570 06	CPA7.5,CPA10,CPA15,CPA20	9	6	2205 1068 02	1	AIR FILTER ELEMENT
		5	1355	6211 4726 50	1	OIL FILTER
		6	1285	6221 3728 00	1	SEPARATOR CARTRIDGE
		2	1190	2205 1075 00	1	FILTERING PANNEL

		KIT 8000 HOURS				
CODE	MACHINE	PAGE	REF.	PART NUM.	QTY.	NAME
2205 5570 09	CPA7.5,CPA10,CPA15,CPA20	9	6	2205 1068 02	1	AIR FILTER ELEMENT
		5	1355	6211 4726 50	1	OIL FILTER
		6	1285	6221 3728 00	1	SEPARATOR CARTRIDGE
		2	1190	2205 1075 00	1	FILTERING PANNEL
		10	1010	2205 4905 90	1	THERMOSTATIC VALVE KIT
		10	1010	2205 4905 95	1	MINI. PRESSURE VALVE KIT
		9	4	2200 9009 43	1	SUCTION UNIT KIT
		5	1125	0823 0050 09	1	NON-RETURN VALVE